



Engineering Specification Sheet

PROMINENCE SERIES 16 string combiner box with monitoring and 200 amp disconnect switch

GENERAL INFORMATION

- **Description:** 16 string fused combiner box with 200A disconnect and (2) string current monitors. 200A at 600VDC maximum output.

- **Dimensions:**

		Part number
○ NEMA 4X Fiberglass (Standard):	25.59" x 25.59" x 10.39"	PR-16M-200-FG
○ NEMA 4 Metallic (Optional):	25.59" x 25.59" x 10.39"	PR-16M-200-S
○ NEMA 4X 316 Stainless (Optional)	25.59" x 25.59" x 10.39"	PR-16M-200-SS

- **Fuse holders:** 16 finger safe, non-load break fuse holders. 30A, 1000VDC rated. Fuse amperage rating may differ as long as total amperes of all fuses do not exceed the bus rating or 30A per string.

TECHNICAL SPECIFICATIONS

- **Disconnect Switch:** 600 VDC, 200A, load break, rated for continuous duty class DC-21.

- **String Current Monitor (SCM):** 8 input, 24 VDC input operating voltage, consumes 382mA, 2 Wire RS485 output, ModBus RTU protocol, +/- 1% of full scale accuracy. For more information see www.obvius.com

- **Input Wires:** Fuses: 16 total, 8-14AWG, 75°C, Cu Wire

- **Output Wires:** Fused, Non-Fused: 1 ea. 350MCM-6AWG, 90°C, Cu/Al Wire

- **Ground Terminals:** 1 ea. 350MCM-6AWG, 90°C, Cu/Al Wire
13 total, 4-14AWG, 90°C, Cu/Al Wire

- **Operating Temperature, Humidity:** -10°C to +60°C (15°F to 130°F), 0-100% Humidity

- **Busbars:** C11000 Alloy (Copper), electroplated to prevent corrosion. Rated continuous duty.

FEATURES

- **Safety shields:** Lexan shields over all live parts for a completely deadfront unit.
- **Labeling:** All components, wire ranges, torque values silkscreened onto backpan.
- **Mounting panel:** White powder coat with integrated wire management, hydraulically inserted threaded nuts for maximum gripping strength.
- **Insulators:** All busbars are supported by 1000VDC rated insulators for added rigidity.

OPTIONS

- **Surge Protection:** Surge protection can be added for an additional cost. Just add "SP" at the end of part number.
- **Power Supply:** 24VDC power supply pre-installed with wiring to SCMs.

APPROVALS

- Listed to UL1741, CAN/CSA C22.2 Listed, CE Listed @ 600Volts.

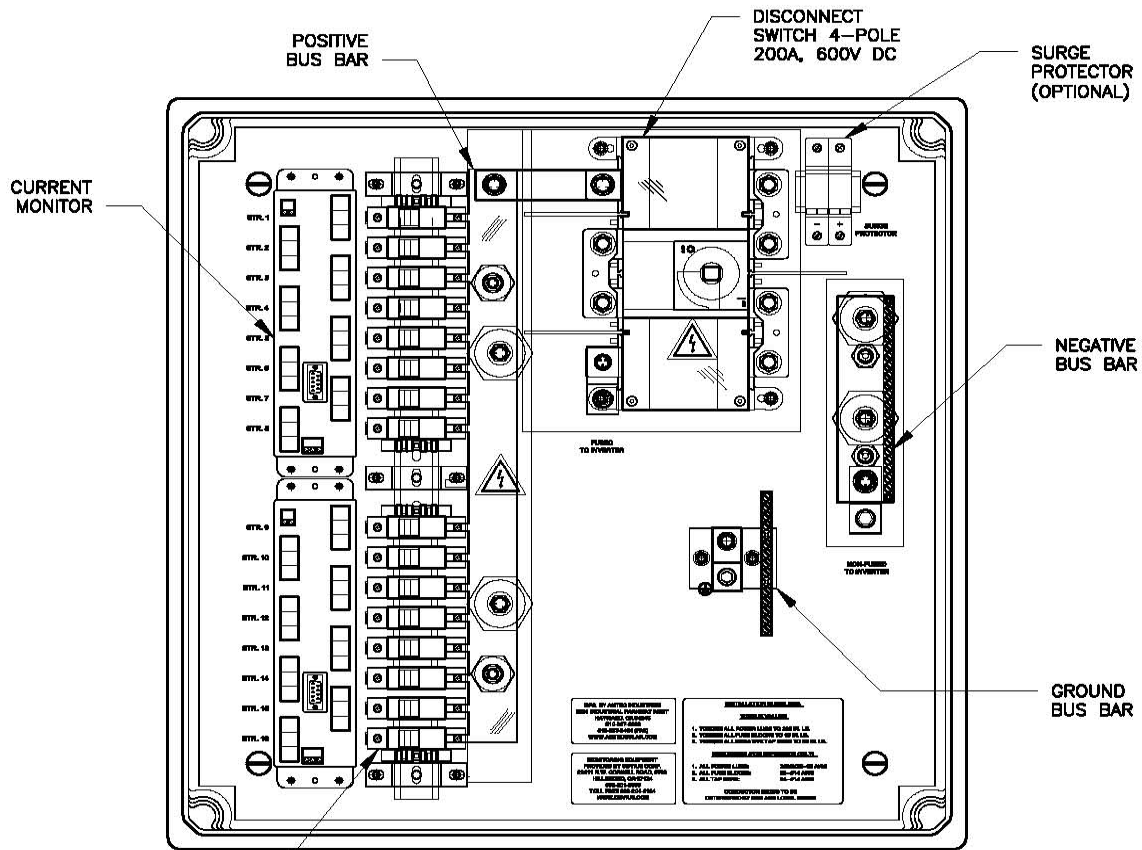


AMtec Solar
2501 Industrial Parkway West, Hayward CA 94545

www.amtecsolar.com

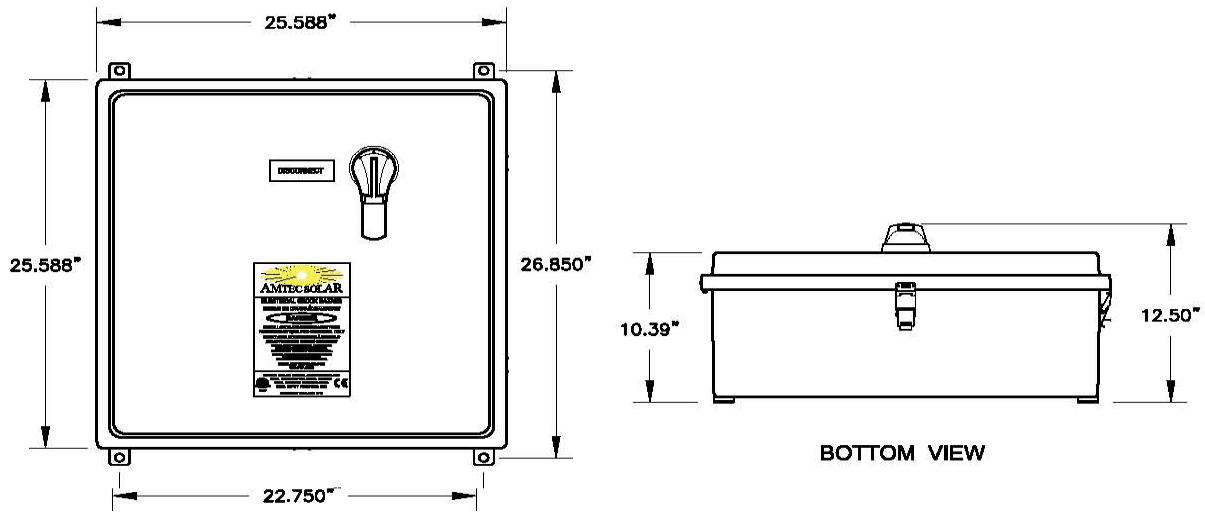
510.887.2289





FUSE BLOCK
W/FUSE (16)

DRAWING ABOVE SHOWS INTERNAL COMPONENTS



FRONT VIEW
WITH MOUNTING LOCATIONS

BOTTOM VIEW

-Layouts shown are for standard NEMA 4X fiberglass enclosure

AMtec Solar
2501 Industrial Parkway West, Hayward CA 94545

www.amtecsolar.com

510.887.2289