



Engineering Specification Sheet
EQUINOX 2000

GENERAL INFORMATION

- **Description:** Freestanding recombiter box with up to 2000A at 600VDC maximum output.
- **Dimensions:**
 - NEMA 4 Metallic (Standard): 72" x 37" x 24"
 - NEMA 4X 316 Stainless (Optional) 72" x 37" x 24"
- **Fuseholders:** Up to twenty total, depending on total current output.
- **Fuses:** Must be specified at time of order, 35A-200A, total rating of fuses must not exceed 2000A. Class RK5, 600VDC.

TECHNICAL SPECIFICATIONS

- **Input Wires:**

35A-60A Fuse Holders:	2-14AWG, 75°C, Cu/Al Wire
70A-100A Fuse Holders:	2/0-6AWG, 75°C, Cu/Al Wire
110A- 200A Fuse Holders:	350MCM-6AWG, 75°C, Cu/Al Wire
Non-fused Bus:	2/0-14AWG, 75°C, Cu/Al Wire
Grounds:	1 per fuse, 350MCM-6AWG, 90°C, Cu/Al Wire
- **Output Wires:** Fused, Non-fused bus bars: 4 ea., 600MCM-2AWG, 90°C, Cu/Al Wire
- **Operating Temperature, Humidity:** -10°C to +60°C (15°F to 130°F), 0-100% Humidity
- **Busbars:** C11000 Alloy (Copper), electroplated to prevent corrosion. Rated continuous duty.

FEATURES

- **Safety shields:** Lexan shields over all live parts for a completely deadfront unit.
- **Labeling:** All components, wire ranges, torque values silkscreened onto backpan.
- **Mounting panel:** White powder coat with integrated wire management, hydraulically inserted threaded nuts for maximum gripping strength.
- **Insulators:** All busbars are supported by 1000VDC rated insulators for added rigidity.

OPTIONS

- **Surge Protection:** Surge protection can be added for an additional cost.
- **Monitoring:** Please see our separate monitoring specification.

APPROVALS

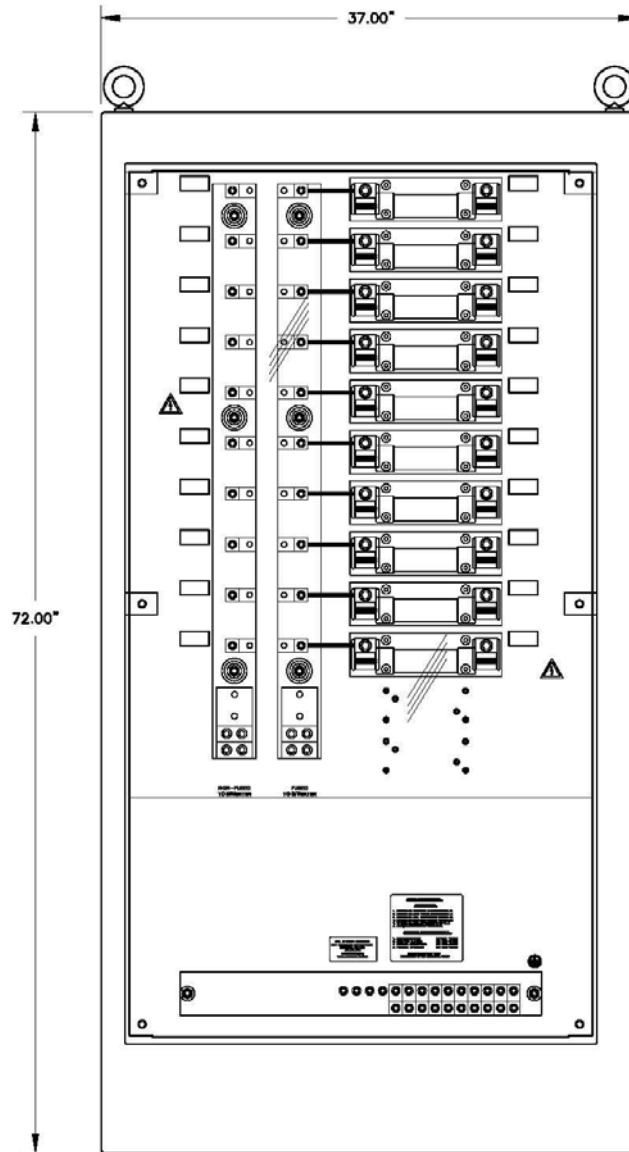
- Listed to UL1741, CAN/CSA C22.2 Listed, CE Listed



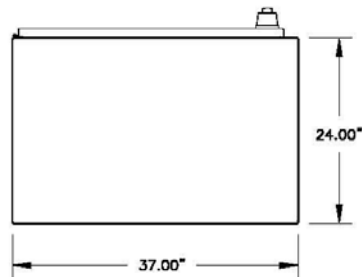
AMtec Solar
2501 Industrial Parkway West, Hayward CA 94545

www.amtecsolar.com

510.887.2289



-Drawing above shows 200A fuse holders



Bottom View

2501 Industrial Parkway West, Hayward CA 94545

www.amtecsolar.com

510.887.2289