



Engineering Specification Sheet
PROMINENCE SERIES 24 string combiner box

GENERAL INFORMATION

- **Description:** 24 string fused combiner box with 360A at 1000VDC maximum output.
- **Dimensions:**

	Part number
○ NEMA 4X Fiberglass (Standard): 21.59" x 17.59" x 8.77", 31 lbs.	PR-24-FG
○ NEMA 4 Metallic (Optional): 20.00" x 16.00" x 8.00", 37 lbs.	PR-24-S
○ NEMA 4X 316 Stainless (Optional) 20.00" x 16.00" x 8.00", 42 lbs.	PR-24-SS
- **Fuse holders:** 24 finger safe, non-load break fuse holders. 30A, 1000VDC rated. Fuse amperage rating may differ as long as total amperes of all fuses do not exceed the bus rating or 30A per string.

TECHNICAL SPECIFICATIONS

- **Input Wires:** Fuses: 24 total, 8-14AWG, 75°C, Cu Wire
- **Output Wires:** Fused, Non-Fused: 2 ea. 350MCM-6AWG, 90°C, Cu/Al Wire
- **Grounding Terminals:** 2 ea. 350MCM-6AWG, 90°C, Cu/Al Wire
13 total, 4-14AWG, 90°C, Cu/Al Wire
- **Operating Temperature, Humidity:** -10°C to +60°C (15°F to 130°F), 0-100% Humidity
- **Busbars:** C11000 Alloy (Copper), electroplated to prevent corrosion. Rated continuous duty.

FEATURES

- **Safety shields:** Lexan shields over all live parts for a completely deadfront unit.
- **Labeling:** All components, wire ranges, torque values silkscreened onto backpan.
- **Mounting panel:** White powder coat with integrated wire management, hydraulically inserted threaded nuts for maximum gripping strength.
- **Insulators:** All busbars are supported by 1000VDC rated insulators for added rigidity.

OPTIONS

- **Surge Protection:** Surge protection can be added for an additional cost. Just add "SP" at the end of part number.
- **Monitoring:** Please see our Prominence 24M model for a 24 string with integrated monitoring.

APPROVALS

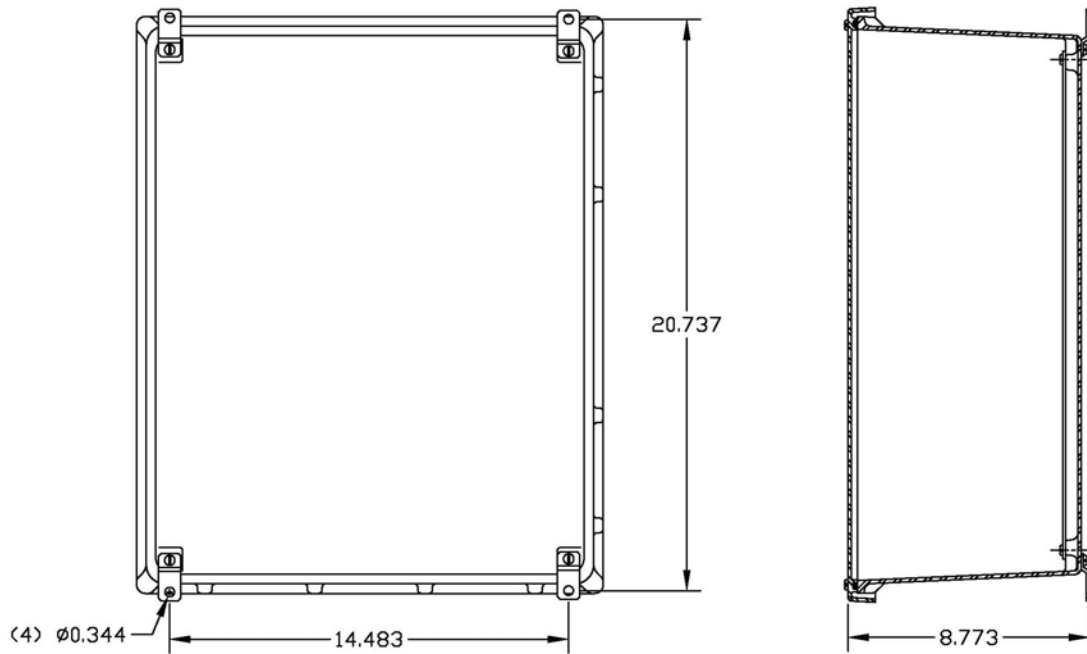
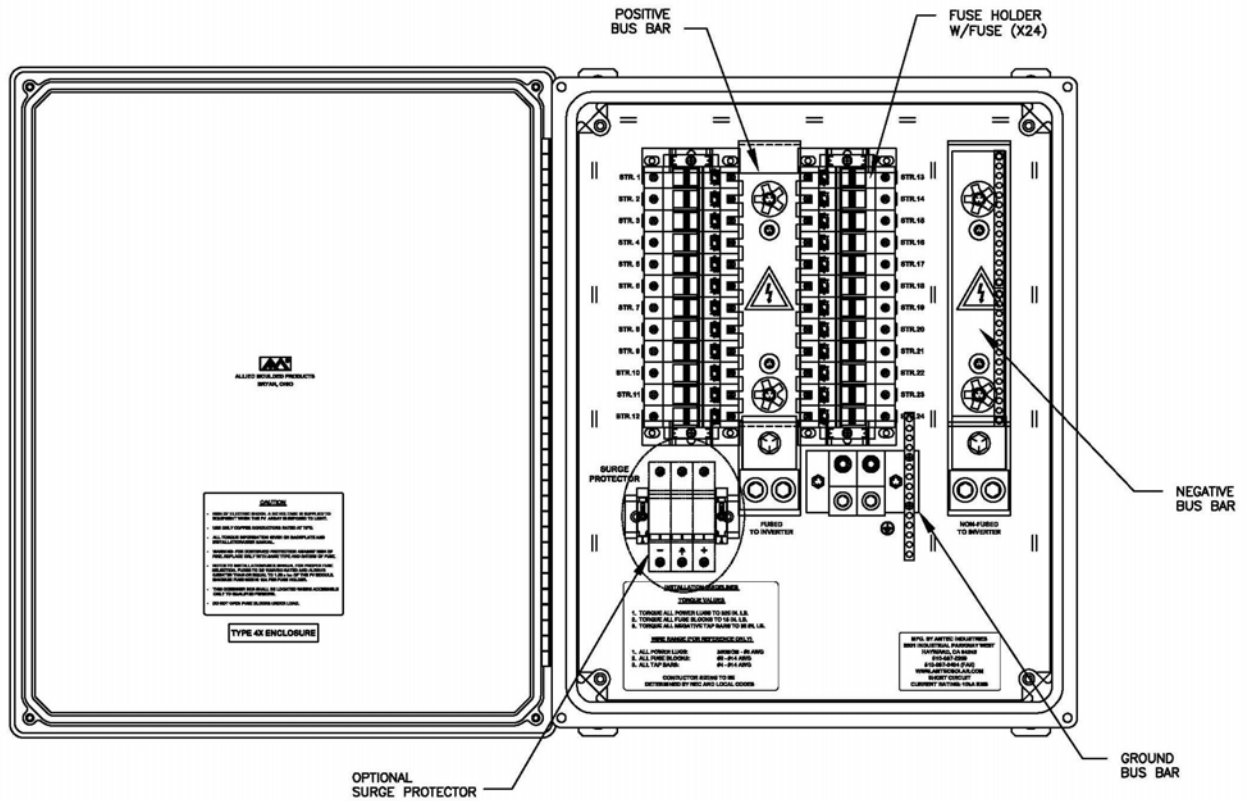
- Listed to UL1741, CAN/CSA C22.2 Listed, CE Listed @ 1000Volts.

AMtec Solar
 2501 Industrial Parkway West, Hayward CA 94545

www.amtecsolar.com

510.887.2289





-Layouts shown are for standard NEMA 4X fiberglass enclosure-